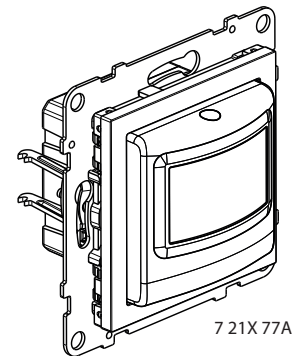
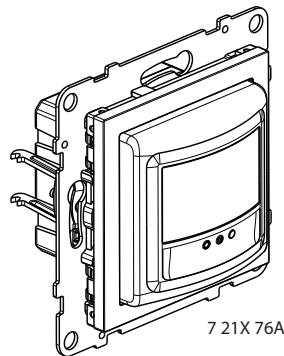
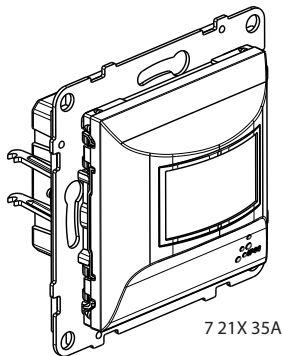


SUNO™ Automatic switch with and without neutral

Cat. No(s): 7 21X/35A/76A/77A



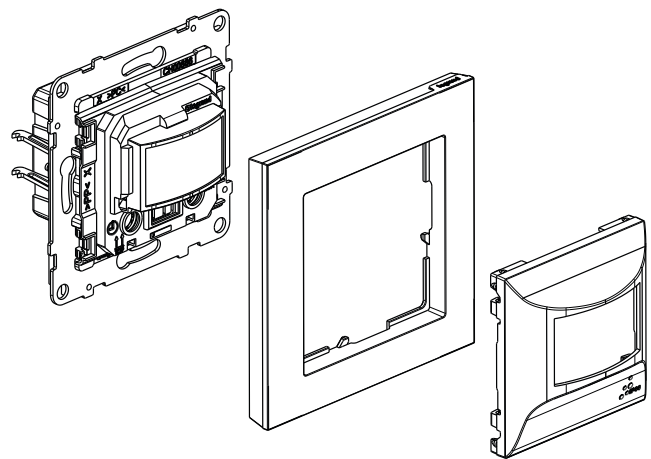
1. USE

Universal automatic switches, with or without neutral, with infrared detection.
 Allow automatic control of a light source by detection of movement in their surveillance zone.
 Replace use of a traditional mechanical switch.
 Recessed mounting in box depth 30 mm minimum.
 Screw fixing.

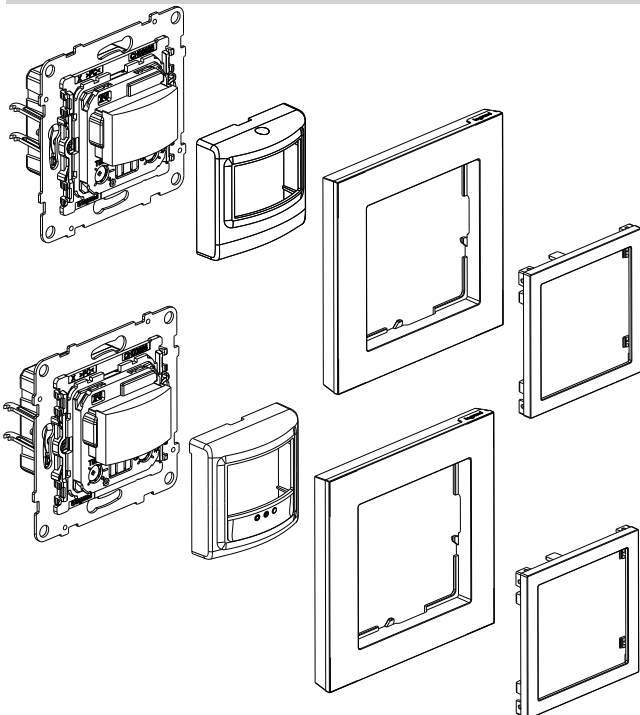
2. RANGE

| Description | White | Ivory | Aluminium | Black |
|----------------------------|-----------|-----------|-----------|-----------|
| IP44 motion sensor 2 wires | 7 211 35A | 7 212 35A | 7 213 35A | 7 214 35A |
| Motion sensor 2 wires | 7 211 76A | 7 212 76A | 7 213 76A | 7 214 76A |
| Motion sensor 3 wires | 7 211 77A | 7 212 77A | 7 213 77A | 7 214 77A |

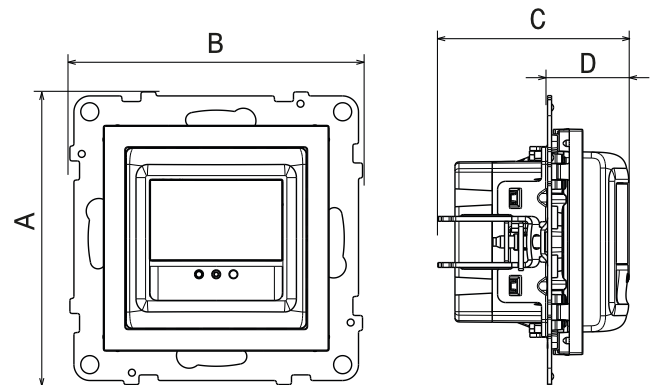
3. DISMANTLING (continued)



3. DISMANTLING



4. DIMENSIONS (mm)

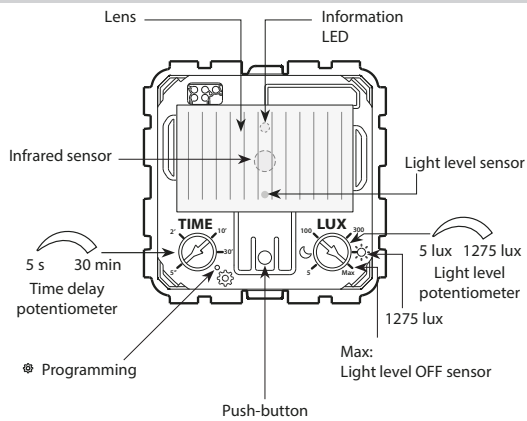


| References | A | B | C | D |
|------------|------|------|------|----|
| 7 21X 35A | 72,9 | 72,9 | 47,3 | 20 |
| 7 21X 76A | 72,9 | 72,9 | 47,3 | 20 |
| 7 21X 77A | 72,9 | 72,9 | 48,3 | 21 |

5. CONNECTION

Type of terminals: with screws
Terminal capacity: 2 x 1.5 mm² - 1 x 2.5 mm²
Stripping length: 8 mm
Screwdriver: flat 4 mm

6. DESCRIPTION



7. TECHNICAL CHARACTERISTICS

7.1 General characteristics

Motion detectors with 170° detection angle.
Detection range: 8 m max.

7.2 Mechanical characteristics

Impact tests: IK 04
Protection against solid bodies and liquids:
IP 20 mounted product
IP 40 mounted product with support frame and plate

7.3 Material characteristics

Mechanism casing: PC
Lens: opalescent white
Cover-plate: ABS
Colour : -molded white RAL 9003
 -molded ivory RAL 1013
 painted aluminium: RAL 9023
 painted black RAL 9017
Plate (complete product): White ABS RAL 9003 polyglass appearance
Halogen-free
UV-resistant
Self-extinguishing:
850°C/30 s for insulating components holding live parts in place
650°C/30 s for other insulating components.

7.4 Climate characteristics

Usage temperature: -5°C to +35°C
Storage temperature: -10°C to +70°C

7.5 Electrical characteristics - 2-wire without neutral






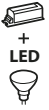

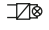




Voltage: 110-240 V~
Current: 0.63 A max.
Frequency: 50/60 Hz
Standby consumption: < 0.010 W

| | | | (*) LED | (*) | (*) | (*) | (*) |
|--------|------|-------|-------------|--------|--------|--------|--------|
| | | | | | | | |
| 240 V~ | Max. | 150 W | 100 VA | 100 VA | 150 VA | 150 VA | 150 VA |
| | Min. | 2 W | 2 VA | 2 VA | 2 VA | 2 VA | 2 VA |
| 110 V~ | Max. | 75 W | 50 VA | 50 VA | 75 VA | 75 VA | 75 VA |
| | Min. | 2 W | 2 VA | 2 VA | 2 VA | 2 VA | 2 VA |

(*) If the load malfunctions, it may be necessary to use bleeder Cat. No. 0 401 49.
 Important: Take transformer losses into account when calculating the power.

■ 7.6 Electrical characteristics - 3-wire with neutral

Voltage: 110-240 V~
 Current: 8.5 A MAX
 Frequency: 50/60 Hz
 Standby consumption: < 0.015 W

| | |  | LED  |  |  |  |  |
|--------|------|---|---|---|--|---|---|
| | |  |  |  |  |  |  |
| 240 V~ | Max. | 2000 W | 500 VA | 500 VA | 1000 VA | 1000 VA | 1000 VA |
| 110 V~ | Max. | 1000 W | 250 VA | 250 VA | 500 VA | 500 VA | 500 VA |

Important: Take transformer losses into account when calculating the power.

7. TECHNICAL CHARACTERISTICS (continued)

■ 7.7 Energy characteristics

Standby consumption for 1000 hours:
 2-wire without neutral: 0.088 kWh/1000 h
 3-wire with neutral: 0.131 kWh/1000 h

8. CLEANING

Keep the lens clean.
 Surface cleaning with a cloth.
 Do not use: acetone, tar remover, trichlorethylene.
 Maintenance with the following products: Hexane (EN 60669-1), Methylated spirit, Soapy water, Diluted ammonia, Bleach diluted to 10%, Window cleaning products.

Caution: Always test before using other special cleaning products.

9. STANDARDS AND APPROVALS

Compliance with standards of installation and manufacturing.
 Refer to e. catalogue.