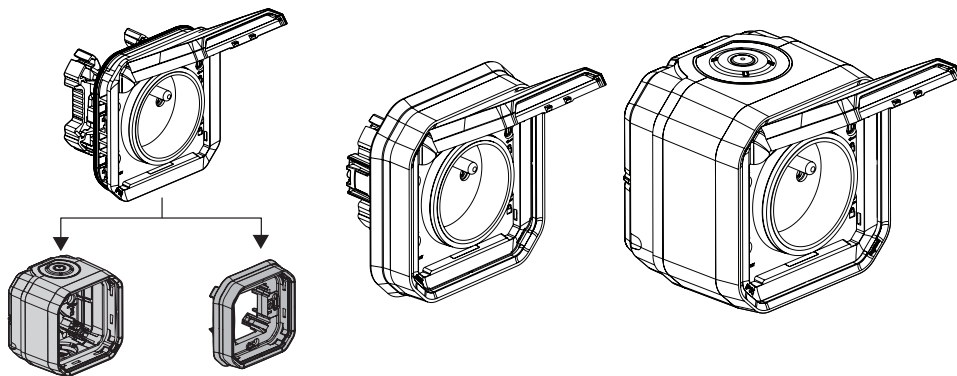


# Plexo™

## 2P+E socket outlets - Franco-Belgian standard

Cat. No(s): 0 695 51L/52L/53L  
0 696 21L/23L/24L  
0 697 31L/76L/81L/91L  
0 698 28L/31L/40L/60L/70L/91L



### 1. USE

Waterproof equipment system intended for residential and professional technical locations (garages, cellars, car parks, workshops and industrial kitchens, etc.) as well as outdoor environments (terraces, gardens, campsites, etc.).

Socket outlets with protection eclips.

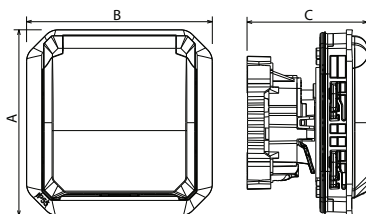
Socket outlets tamperproof version designed to meet specific uses (computers, special networks).

### 2. RANGE

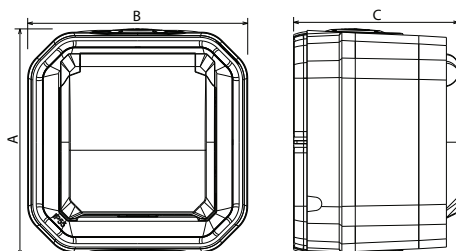
		Références
Configurable		0 695 51L/52L/53L 0 696 21L/23L/24L 0 698 28L/40L/91L
Surface-mounting complete		0 697 31L/76L/81L/91L
Flush-mounting complete		0 698 31L/60L/70L

### 3. OVERALL DIMENSIONS (mm)

#### ■ Configurable

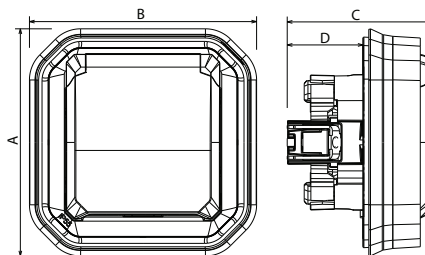


#### ■ Surface-mounting



### 3. OVERALL DIMENSIONS (mm) (continued)

#### ■ Flush-mounting



	A	B	C	D
Configurable	70.5	70.5	45.75	-
Surface-mounting	84.5	82	61.55	-
Flush-mounting	85.1	85.1	54.4	28.4

### 4. CONNECTION

Type of terminals: automatic

Terminal capacity: 1.5 mm<sup>2</sup> - 2.5 mm<sup>2</sup> (1 or 2 conductors)

Stripping length: 12 mm

### 5. TECHNICAL CHARACTERISTICS

#### ■ 5.1 Protection index

Protection against solid bodies and liquids: IP 55

Protection against impact: IK 08

#### ■ 5.2 Material characteristics

Box, support: PP reinforced

Front plate, rocker: ABS

Entry gland, cover plate: PP + SEBS

Mechanism: PC

UV-resistant

Halogen-free

Resistance to salt spray: 7 days (168 h)

Self-extinguishing:

850°C/30 s for insulating components holding live parts in place.

650°C/30 s for other insulating components.

## 5. TECHNICAL CHARACTERISTICS *(continued)*

### ■ 5.3 Electrical characteristics

Voltage: 250 V~  
Current: 16 A  
Frequency: 50 Hz

### ■ 5.4 Climate characteristics

Usage temperature: - 10° à + 40° C  
Storage temperature: - 25° C à + 60° C

## 6. CLEANING

Surface cleaning with a cloth.  
Do not use: acetone, tar remover, trichloroethylene.

Maintenance with the following products: Hexane (EN 60669-1),  
Methylated spirit, Soapy water, Diluted ammonia, Bleach diluted to 10%,  
Window-cleaning products, Pre-saturated wipes.

**Caution:** A preliminary test should be carried out if other specific  
cleaning products are to be used.

## 7. STANDARDS AND APPROVALS

Compliance with standards of installation and manufacturing.  
Refer to e. catalogue.