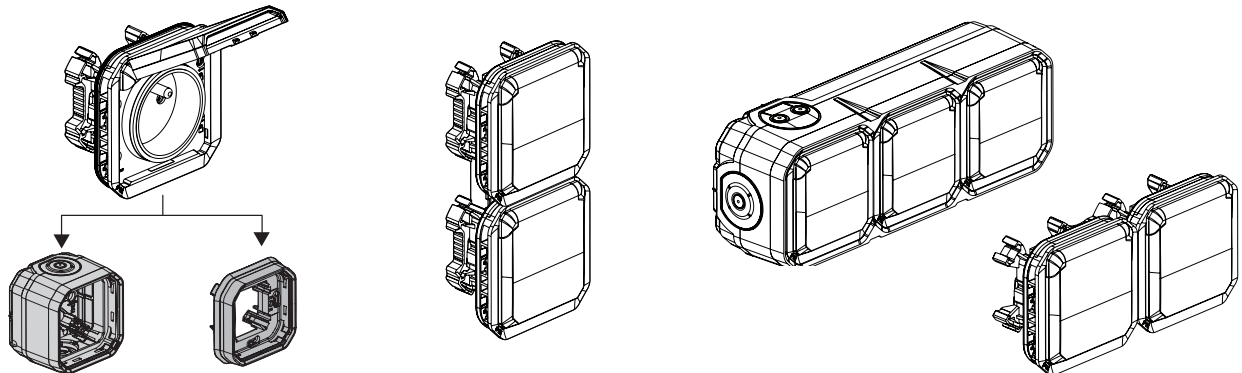


Plexo™

2P+E Prewired sockets outlets

Cat. No(s): 0 695 62L/63L/64L
 0 696 42L/43L/44L
 0 697 63L/66L/68L/78L/88L
 0 698 42L/43L/44L



1. USE

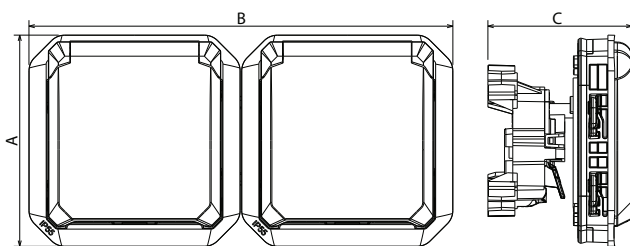
Waterproof equipment system intended for residential and professional technical locations (garages, cellars, car parks, workshops and industrial kitchens, etc.) as well as outdoor environments (terraces, gardens, campsites, etc.). Prewired socket outlets with shutters.

2. RANGE

		References	
Configurable		2 x 2P+T socket horizontal	0 695 62L 0 696 42L 0 698 42L
		2 x 2P+T socket vertical	0 695 63L 0 696 43L 0 698 43L
		3 x 2P+T socket horizontal	0 695 64L 0 696 44L 0 698 44L
Surface-mounting complete		2 x 2P+T socket horizontal	0 697 68L 0 697 78L 0 697 88L
		3 x 2P+T socket horizontal	0 697 63L 0 697 66L

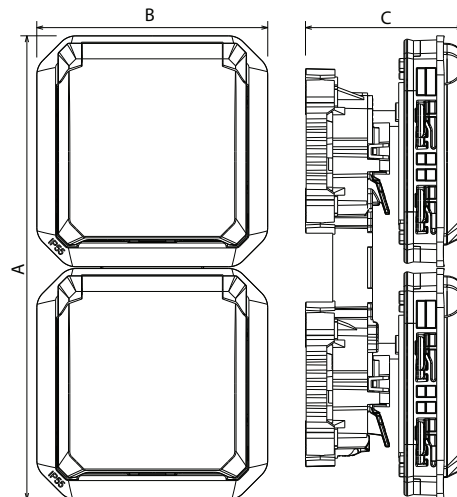
3. OVERALL DIMENSIONS (mm)

■ Configurable horizontal



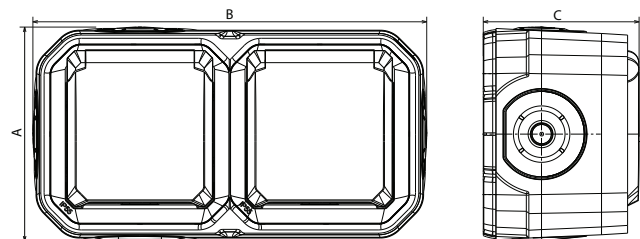
3. OVERALL DIMENSIONS (mm) (continued)

■ Configurable vertical



	A	B	C
2 x 2P+T socket horizontal	70.5	141.5	48.1
2 x 2P+T socket vertical	141.5	70.5	48.1
3 x 2P+T socket horizontal	70.5	212.5	48.1

■ Surface-mounting



	A	B	C
2 x 2P+T socket horizontal	84.5	155.55	61.55
3 x 2P+T socket horizontal	84.5	212.5	61.55

4. CONNECTION

Type of terminals: automatic
Terminal capacity: 1.5 mm² - 2.5 mm² (1 or 2 conductors)
Stripping length: 12 mm

5. TECHNICAL CHARACTERISTICS

■ 5.1 Protection index

Protection against solid bodies and liquids: IP 55
Protection against impact: IK 08

■ 5.2 Material characteristics

Box, support: PP reinforced
Front plate, rocker: ABS
Entry gland, cover plate: PP + SEBS
Mechanism: PC

UV-resistant
Halogen-free

Resistance to salt spray: 7 days (168 h)

Self-extinguishing:

850°C/30 s for insulating components holding live parts in place.
650°C/30 s for other insulating components.

■ 5.3 Electrical characteristics

Voltage: 250 V~
Current: 16 A
Frequency: 50 Hz

■ 5.4 Climate characteristics

Usage temperature: - 10° à + 40° C
Storage temperature: - 25° C à + 60° C

6. CLEANING

Surface cleaning with a cloth.

Do not use: acetone, tar remover, trichloroethylene.

Maintenance with the following products: Hexane (EN 60669-1),
Methylated spirit, Soapy water, Diluted ammonia, Bleach diluted to 10%,
Window-cleaning products, Pre-saturated wipes.

Caution: A preliminary test should be carried out if other specific
cleaning products are to be used.

7. STANDARDS AND APPROVALS

Compliance with standards of installation and manufacturing.
Refer to e.catalogue.