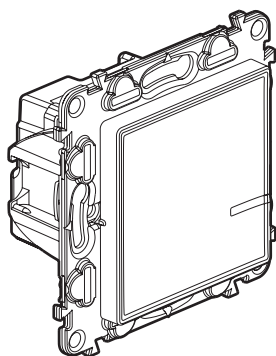
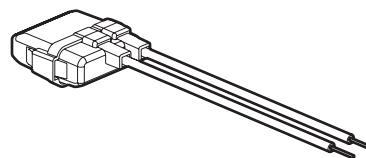


Valena™ Life Connected switch 125 W LED without neutral with dimmer option

Cat. Nos: 7 521 84A - 7 522 84A - 7 523 84A - 7 563 84A



7 521 84A



0 401 49

1. USE

Connected switch without neutral 125 W LED with dimmer option, configured by default as ON/OFF (dimmer mode can be activated from the Home + Control app).

Can be combined with one or more wireless lighting.

For local or remote control of your lighting.

Supplied with an active power compensator (Cat. No. 0 401 49), mandatory to ensure optimum operation with commercially-available lamps. One compensator per lighting circuit is sufficient.

Easy to install in place of a standard switch in a box 40 mm deep (minimum).

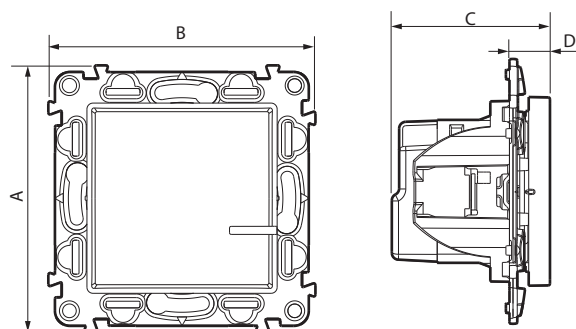
Screw and/or claw fixing.

2. RANGE

Product for use in conjunction with the starter pack "with Netatmo".
With LED indicator (configuration) and RESET button (hidden) used to return to factory settings.

White	Ivory	Aluminium	Black
7 521 84A	7 522 84A	7 523 84A	7 563 84A

3. DIMENSIONS (mm)



A	B	C	D
75	75	45	11.5

4. CONNECTION

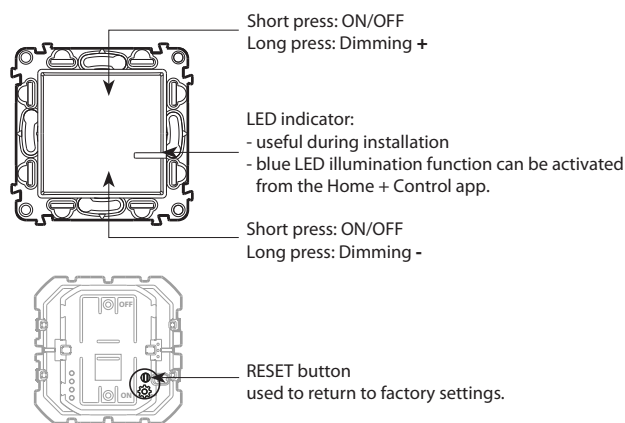
Terminal type: with screws

Terminal capacity: 2 x 1.5 mm² or 2 x 2.5 mm²

Stripping length: 8 mm

Flat screwdriver: 3 mm

5. OPERATION



6. TECHNICAL CHARACTERISTICS

■ 6.1 Mechanical characteristics

Protection against impacts: IK 04

Protection against solid bodies/liquids: IP 20

■ 6.2 Material characteristics

Support: PC grey RAL 7016 + metal

Mechanism casing: PC

Rocker plate: ABS

Colours: White RAL 9003

Ivory RAL 1013

Halogen-free

UV-resistant

Self-extinguishing:

850°C/30 s for insulating components holding live parts in place.

650°C/30 s for other insulating components.

■ 6.3 Electrical characteristics

Voltage: 110-240 V~

Power: 125 W

Frequency: 50/60 Hz

Standby consumption: 2.2 mA

Zigbee technology 2.4 GHz to 2.4835 GHz

Power level: < 100 mW

Range: 200 m of unobstructed space

10 m between products indoors

■ 6.4 Climate characteristics

Usage temperature: +5°C to +45°C

Storage temperature: 0°C to +45°C

Valena™ Life

Connected switch 125 W LED without neutral with dimmer option

Cat. Nos: 7 521 84A - 7 522 84A - 7 523 84A - 7 563 84A

7. CARE

Clean the surface with a cloth.
Do not use acetone, tar-removing cleaning agents or trichloroethylene.

Resistant to the following products:
Hexane, methylated spirit, soapy water, diluted ammonia, bleach diluted to 10%, window-cleaning products, pre-impregnated wipes.

Caution: Always test before using special cleaning products.

8. STANDARDS AND APPROVALS

Compliant with installation and manufacturing standards.
See e-catalogue.

The undersigned, LEGRAND, declares that the radio-electric equipment type (7 521 84A - 7 522 84A - 7 523 84A) complies with directive 2014/53/EU. The full text of the EU declaration of conformity is available on the following website: www.legrand.com/ecatalogue