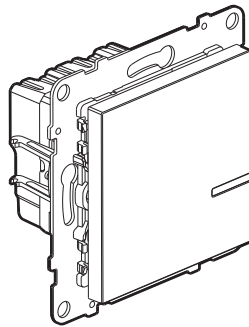


Suno™ Dimmer without neutral 125 VA LED

Cat. No(s): 7 211 78A - 7 212 78A - 7 213 78A - 7 214 78A



1. USE

This product allows the control and variation of all types of lamps.
 Can be associated with one or several push-buttons without neon, each push-button then allowing the on/off/dimming functions.

Gradually turn the light on and off.

Lights come on again at the same lighting level as before they were last switched off.

Used:

- in luminous mode (indicator)
- in status memory mode
- in leading mode, trailing depending on the load (see load tables on page 2).

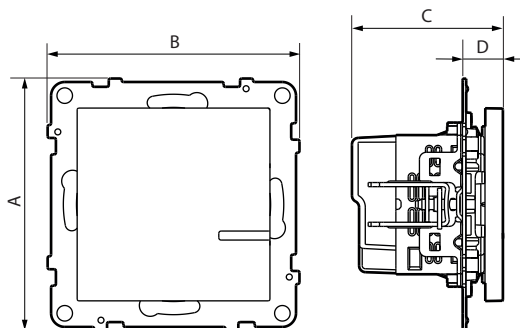
Installed in a box at least 40 mm deep.

Fixing with screws and/or claws.

2. RANGE

7 211 78A	○ White	2-wire dimmer without neutral To be equipped with finishing plate.
7 212 78A	○ Ivory	
7 213 78A	● Aluminium	
7 214 78A	● Black	

3. DIMENSIONS (mm)



A	B	C	D
73	73	44	12

4. CONNECTION

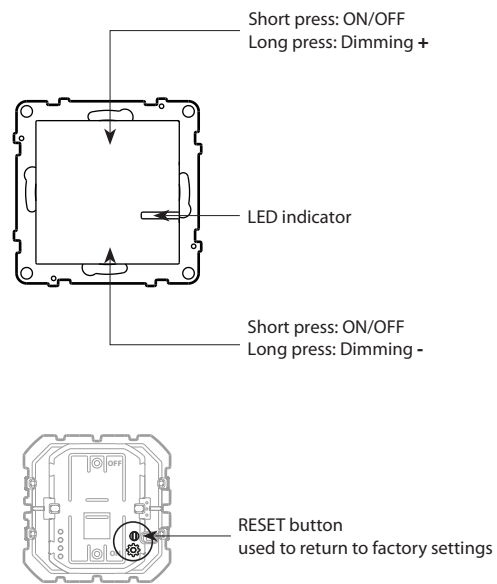
Type of terminals: with screws

Terminal capacity: 2 x 1.5 mm² or 1 x 2.5 mm²

Stripping length: 8 mm

Screwdriver: 3 mm flat

5. OPERATION



6. TECHNICAL CHARACTERISTICS

■ 6.1 Mechanical characteristics

Protection against impacts: IK 04

Protection against solid bodies and liquids: IP 20

■ 6.2 Material characteristics

Mechanism casing: PC

Adaptateur : PC

Support frame: Metal + surface treatment

Rocker : PC

Colour: White RAL 9003

Ivory RAL 9013

Painted aluminium

Painted black

Halogen-free

UV-resistant

Self-extinguishing:

850°C/30 s for insulating components holding live parts in place.

650°C/30 s for other insulating components.

■ 6.3 Climate characteristics

Usage temperature: -5°C to +35°C

Storage temperature: -10°C to +70°C









■ 6.4 Electrical characteristics

Voltage: 110-230 V~

Power: 125 W

Frequency: 50/60 Hz

Standby consumption: 0.3 W

					
					
230 V~	Max.	125 W	(*)125 VA	125 VA	125 VA
	Min.	3 W	(*)3 VA	3 VA	5 VA
110 V~	Max.	75 W	(*)75 VA	75 VA	75 VA
	Min.	3 W	(*)3 VA	3 VA	3 VA

(*) For comfortable lighting, we recommend using bulbs of the same type and make.
Max. 10 bulbs.

Do not mix different load types on the same product.

Compatibility with ferromagnetic type loads is only possible in "Leading" mode.

Caution: Only works with variable-intensity bulbs.



In case of poor load operation, it may be necessary to use the active compensator Ref. 0 401 49.

7. CARE

Clean the surface with a cloth.

Resistance to the following products:

Hexane, methylated spirit, soapy water, diluted ammonia, pure bleach diluted to 10%, window-cleaning products, pre-impregnated wipes.

Caution: Always test before using special cleaning products.

8. STANDARDS AND APPROVALS

Compliant with installation and manufacturing standards.

See e-catalogue.