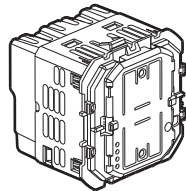


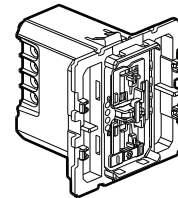
## Céliane™

Cat. No(s): 0 670 83A - 0 670 86A

### Dimmer with neutral 125 VA Dimmer without neutral 150 VA



0 670 83A



0 670 86A

#### 1. USE

These products allow the control and variation of all types of lamps.  
 Can be associated with one or several push-buttons without neon, each push-button then allowing the on/off/dimming functions.  
 Gradually turn the light on and off.  
 Lights come on again at the same lighting level as before they were last switched off.

Used:

- in luminous mode (indicator)
- in status memory mode
- in leading mode, trailing depending on the load.

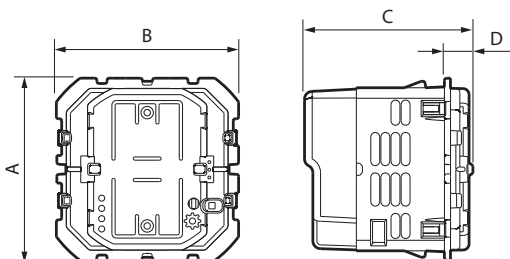
Installed in a box at least 40 mm deep.

Fixing with screws.

#### 2. RANGE

0 670 83A	<b>2-wire dimmer without neutral</b> Mechanism to be equipped with support frame, rocker and plate.
0 670 86A	<b>3-wire dimmer without neutral</b> Mechanism to be equipped with support frame, rocker and plate.

#### 3. DIMENSIONS (mm)



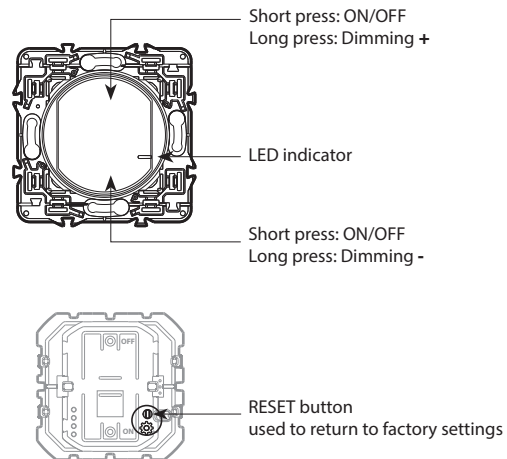
Cat. Nos	A	B	C	D
0 670 83A	45	45	42	7
0 670 86A	45	45	42.5	6.5

#### 4. CONNECTION

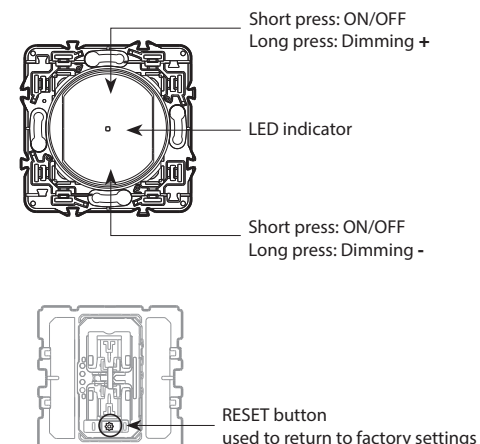
Type of terminals: with screws  
 Terminal capacity: 2 x 1.5 mm<sup>2</sup> or 1 x 2.5 mm<sup>2</sup>  
 Stripping length: 8 mm (without neutral)  
 7 mm (with neutral)  
 Screwdriver: 3 mm

#### 5. OPERATION

##### ■ 5.1 2-wire dimmer without neutral



##### ■ 5.2 3-wire dimmer with neutral



## Dimmer with neutral 125 VA Dimmer without neutral 150 VA

### 6. TECHNICAL CHARACTERISTICS

#### ■ 6.1 Mechanical characteristics

Protection against impacts: IK 04

Protection against solid bodies and liquids: IP 20

#### ■ 6.2 Material characteristics

Mechanism casing: PC

Self-extinguishing:

850°C/30 s for insulating components holding live parts in place.

650°C/30 s for other insulating components.

#### ■ 6.3 Electrical characteristics - 2-wire without neutral

Voltage: 110-230 V~

Power: 125 W

Frequency: 50/60 Hz

Standby consumption: 0.3 W

**Caution:** Only works with variable-intensity bulbs.



In case of poor load operation, it may be necessary to use the active compensator Ref. 0 401 49.

#### ■ 6.4 Electrical characteristics 3-wire with neutral

Voltage: 110-240 V~

Power: 150 W

Frequency: 50/60 Hz

Standby consumption: 0.7 W

**Caution:** Only works with variable-intensity bulbs.



#### ■ 6.5 Climate characteristics

Usage temperature: +5°C to +35°C

Storage temperature: 0°C to +45°C

### 7. CARE

Clean the surface with a cloth.

### 8. STANDARDS AND APPROVALS

Compliant with installation and manufacturing standards.

See e-catalogue.