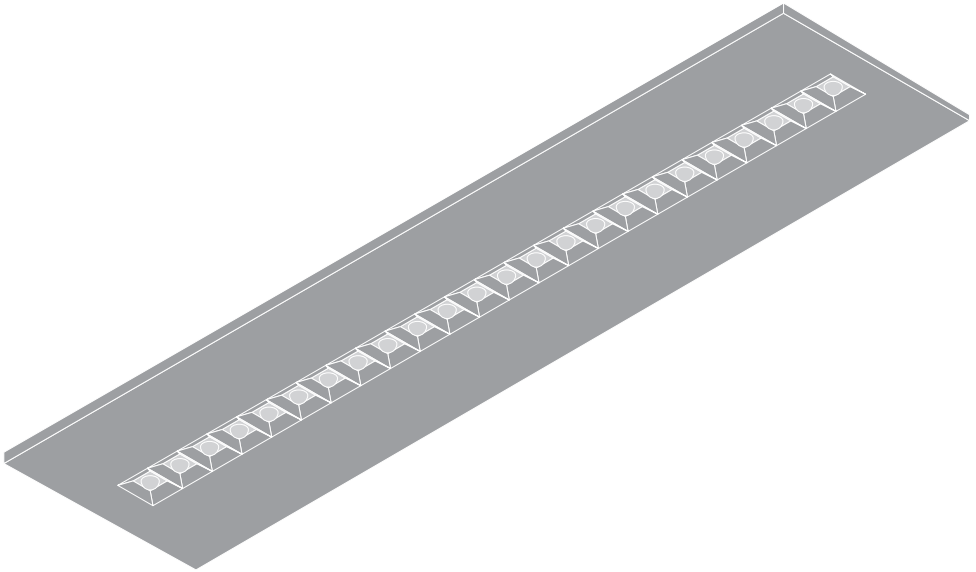
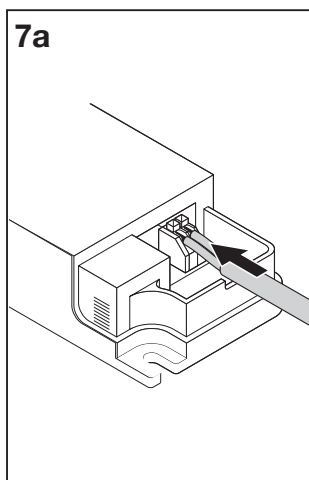
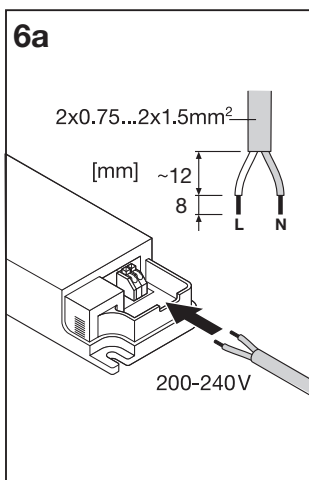
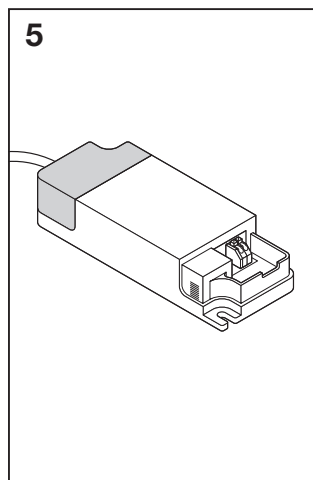
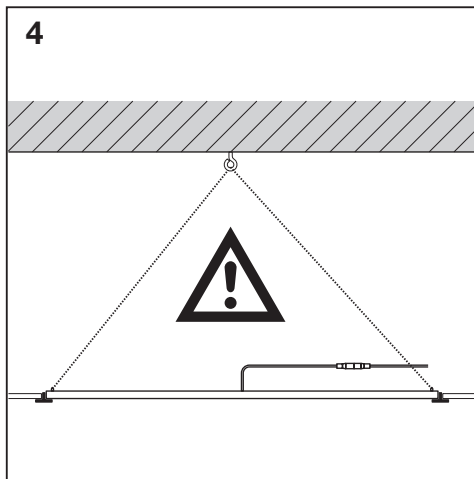
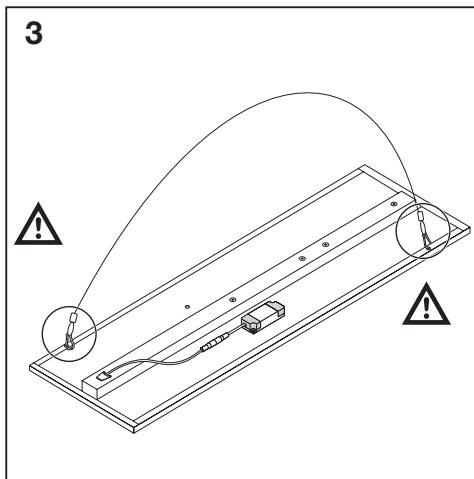
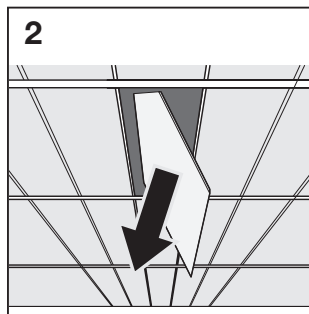
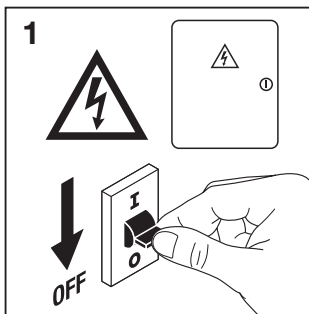
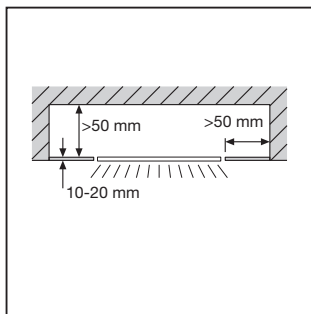


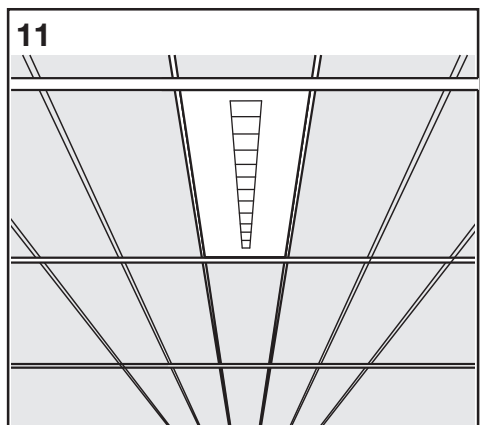
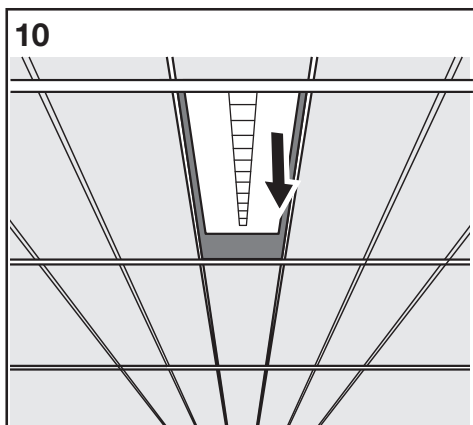
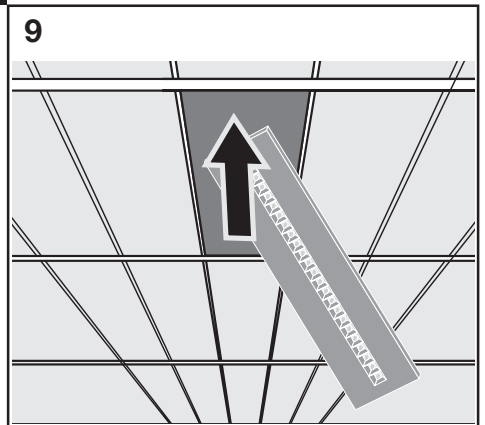
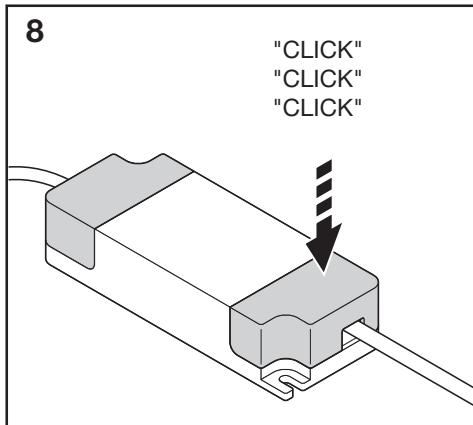
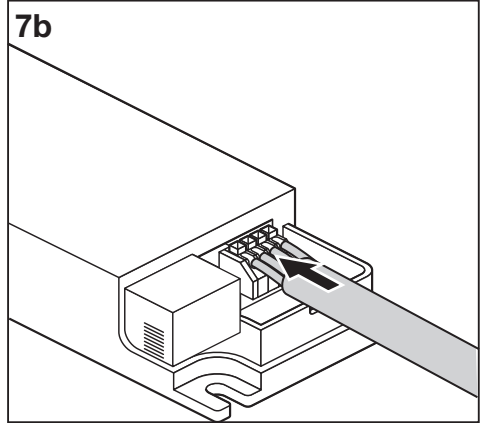
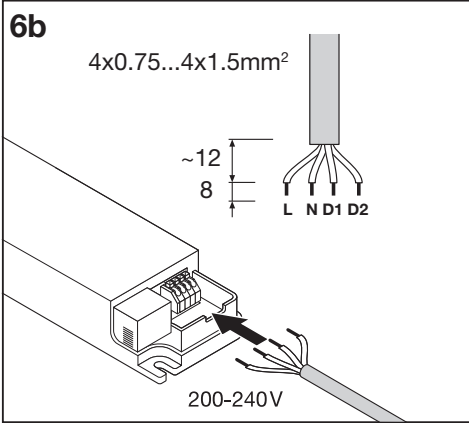
PANEL LOUVER 1200

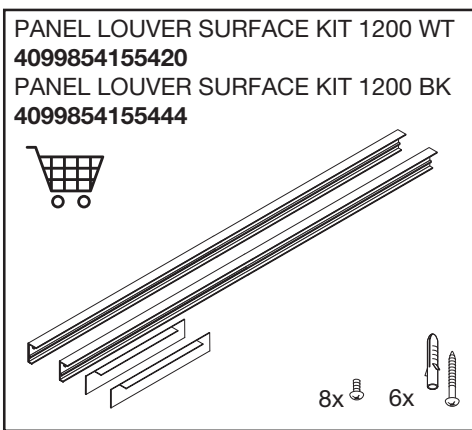
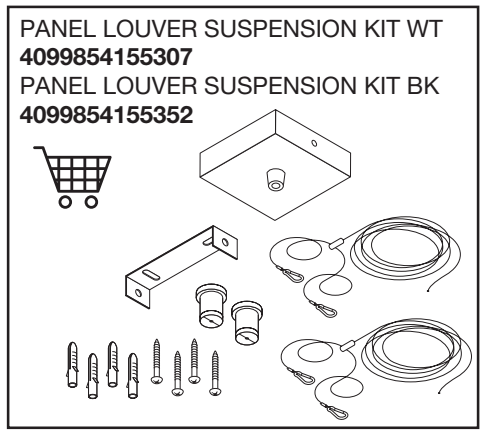
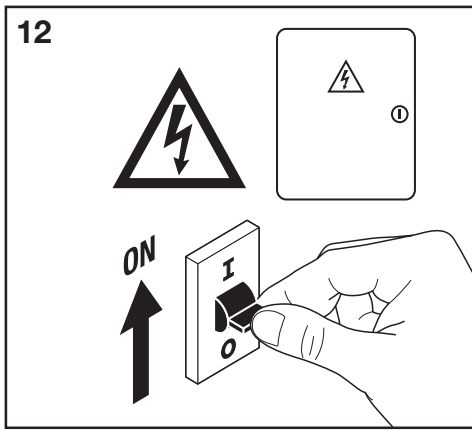


	EAN	l x w x h [mm]	W	V _{AC}	Hz	lm	lm/W	K
PL Louver 1200 V 27.5W 840 U16 WT	4099854149719	1195 x 295 x 25	27.5	200-240	50/60	4150	150	4000
PL Louver 1200 V 27.5W 840 U16 BK	4099854149733	1195 x 295 x 25	27.5	200-240	50/60	4000	145	4000
PL Louver 1200 V 27.5W 840 U16 WT DALI	4099854149757	1195 x 295 x 25	27.5	200-240	50/60	4150	150	4000
PL Louver 1200 V 27.5W 840 U16 BK DALI	4099854149771	1195 x 295 x 25	27.5	200-240	50/60	4000	145	4000

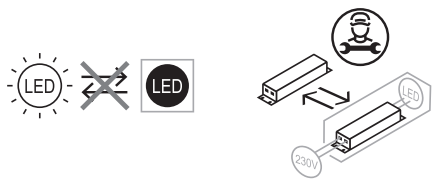
	EAN	IP	IK	∇	R _a	⊕ (°C)	PF	👤
PL Louver 1200 V 27.5W 840 U16 WT	4099854149719	20	02	85°	>80	0° .. +40°	>0.9	2,25kg
PL Louver 1200 V 27.5W 840 U16 BK	4099854149733	20	02	85°	>80	0° .. +40°	>0.9	2,25kg
PL Louver 1200 V 27.5W 840 U16 WT DALI	4099854149757	20	02	85°	>80	0° .. +40°	>0.9	2,30kg
PL Louver 1200 V 27.5W 840 U16 BK DALI	4099854149771	20	02	85°	>80	0° .. +40°	>0.9	2,30kg







	B10	B16	B32	C10	C16	C32
PANEL LOUVER 1200 V 27.5W 840 U16	8	13	26	13	21	42
PANEL LOUVER 1200 V 27.5W 840 U16 DALI	8	13	26	13	21	42



C10449057
G11173394
11.08.23



LEDVANCE GmbH
Steinerne Furt 62
86167 Augsburg, Germany
www.ledvance.com

© LEDVANCE Ltd, Aquila House
Delta Crescent, Westbrook, Warrington
WA5 7NR, United Kingdom