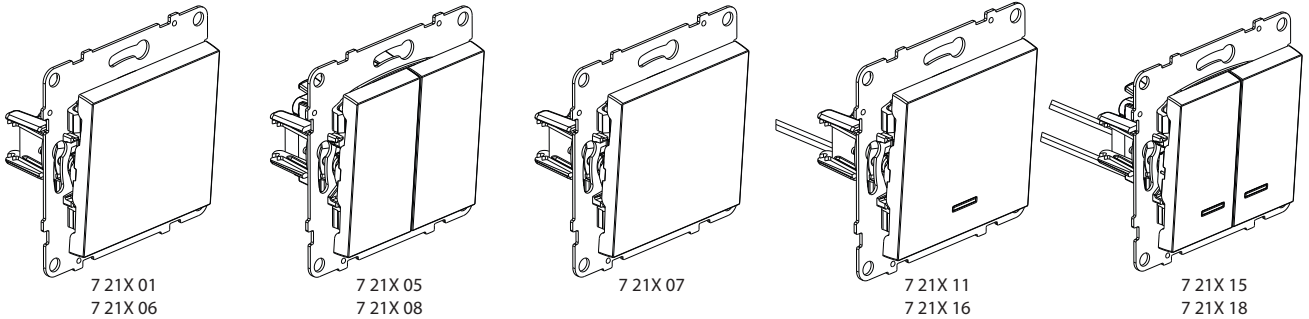


Suno™
Lighting controls 10 AX

Cat. No(s): 7 21X 01, 7 21X 05, 7 21X 06, 7 21X 07, 7 21X 08, 7 21X 11, 7 21X 15, 7 21X 16, 7 21X 18



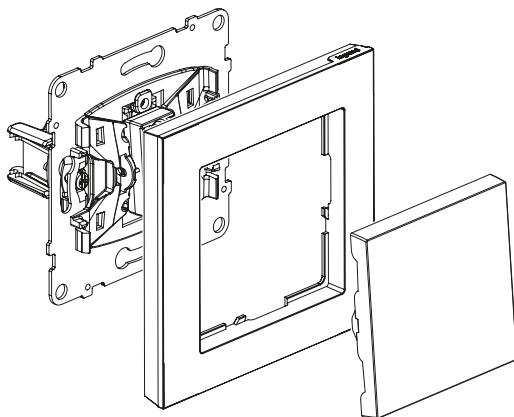
1. USE

Lighting controls mechanism 10 AX - 250 V~.
 Flush-mounting or surface-mounting.
 Screw and/or claw fixing.

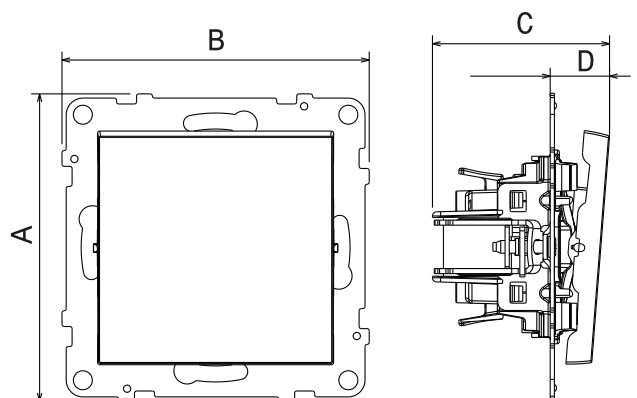
2. RANGE

10AX switch with automatic terminal	White	Ivory	Aluminum	Black
1-WAY SWITCH	7 211 01	7 212 01	7 213 01	7 214 01
1-WAY 2-GANG SWITCH	7 211 05	7 212 05	7 213 05	7 214 05
2-WAY SWITCH	7 211 06	7 212 06	7 213 06	7 214 06
2-WAY 2-GANG SWITCH	7 211 08	7 212 08	7 213 08	7 214 08
1-WAY SWITCH ILLUMINATED	7 211 11	7 212 11	7 213 11	7 214 11
1-WAY 2-GANG SWITCH ILLUMINATED	7 211 15	7 212 15	7 213 15	7 214 15
2-WAY SWITCH ILLUMINATED	7 211 16	7 212 16	7 213 16	7 214 16
2-WAY 2-GANG SWITCH ILLUMINATED	7 211 18	7 212 18	7 213 18	7 214 18
10AX switch with screw terminal	White	Ivory	Aluminum	Black
INTERMEDIATE SWITCH	7 211 07	7 212 07	7 213 07	7 214 07

3. DISMANTLING



4. DIMENSIONS (mm)



References	A	B	C	D
7 21X 01/05/06/08/11/15/16/18	72,9	72,9	40,6	12,7
7 21X 03	72,9	72,9	43	15,7
7 21X 07	72,9	72,9	40,7	13,4

5. CONNECTION

Flexible or rigid cables compatible.

Type of terminals

- Automatic terminal
- Screw terminal

Tightening torque:

0,8 Nm

Terminal capacity:

2 x 2.5mm²/terminal

Stripping length:

7 21X 01/05/06/08/11/15/16/18: 13mm

7 21X 07: 10mm

Screwdriver:

Posidrive 1, Flat 4mm

6. TECHNICAL CHARACTERISTICS

■ 6.1 Mechanical characteristics

Protection against solid bodies and liquids: IP20

Protection against impact: IK04

■ 6.2 Material characteristics

Polygloss appearance

Colour molded:

- White RAL 9003
- Ivory RAL 1013

Matt colour painted:

- Aluminum RAL 9023
- Black RAL 9017

Material:

- Rocker ABS
- Base: Polycarbonate
- Halogen-free
- UV resistant

Self-extinguishing:

850°C/30 s for installing components holding live parts in place

650°C/30 s for other insulating components

■ 6.3 Electrical characteristics

Voltage: 250 V~

Current: 10 AX

Frequency: 50/60 Hz

Max. power for self-ballasted lamps: 100W

■ 6.4 Climatic characteristics

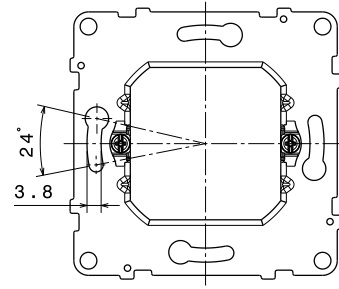
Usage temperature: -5°C to +35°C

Storage temperature: -10°C to +70°C

■ 6.5 Support

Material of support: -Metal

Angular adjusting:

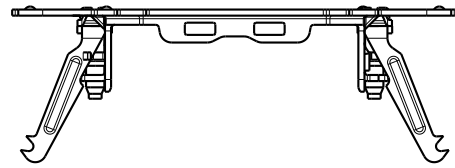


■ 6.6 Fixing with claws

Number of turns to open the claws:

- 58 mm > 2,1 turns

- 65 mm > 2,75 turns



Performance of double teeth claws: extraction resistance

7. MAINTENANCE

Surface cleaning with a cloth.

Do not use:

Acetone, tar remover, trichloroethylene.

Maintenance with the following products:

Hexane (EN 60669-1), Methylated spirit, Soapy water, Diluted ammonia, Bleach diluted to 10%, Window-cleaning products.

Caution: Always test before using other special cleaning products.

8. STANDARDS AND APPROVALS

Compliant with installation and manufacturing standards.

Refer to e. catalogue..