

SSP TE 25 TGTZN (625 001)

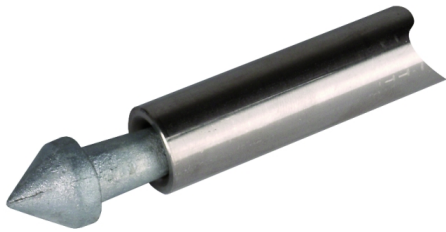
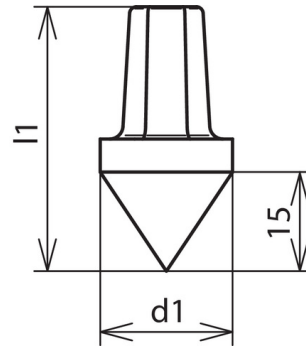


Figure without obligation



Type	SSP TE 25 TGTZN
Part No.	625 001
Material	MCl/tZn
Type	for earth rods Ø25 mm or tubular earth rods StSt (V4A) Ø25 mm
Dimensions (d1 x l1)	25 x 45 mm
Weight	69 g
Customs tariff number (Comb. Nomenclature EU)	85389099
GTIN	4013364021945
PU	50 pc(s)

We reserve the right to introduce changes in performance, configuration and technology, dimensions, weights and materials in the course of technical progress. The figures are shown without obligation.