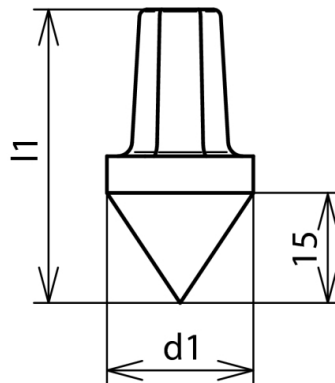


**SSP TE 25 TGTZN (625 001)**



Figure without obligation



<b>Type</b>	<b>SSP TE 25 TGTZN</b>
<b>Part No.</b>	<b>625 001</b>
Material	MCl/tZn
Type	for earth rods Ø25 mm or tubular earth rods StSt (V4A) Ø25 mm
Dimension (d1 x l1)	25 x 45 mm
Weight	69 g
Customs tariff number (Comb. Nomenclature EU)	85389099
GTIN	4013364021945
PU	50 pc(s)

We reserve the right to introduce changes in performance, configuration and technology, dimensions, weights and materials in the course of technical progress. The figures are shown without obligation.