

EAN code
DIM-15/230 V: 8595188140690
SMR-M: 8595188143776

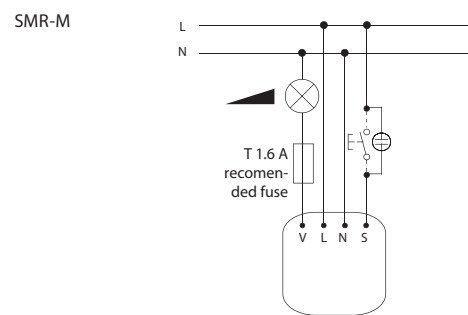
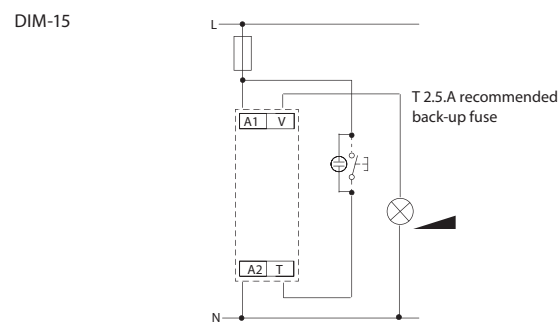
Technical parameters	DIM-15	SMR-M
Supply terminals:	A1 - A2	x
Voltage range:	x	4-wire, with neutral
Operating range:	AC 230 V / 50 Hz	
Apparent power:	-15 %; +10 %	
Loss power:	max. 1.5VA	
Dissipated power:	max. 0.7W	
Supply indication:	green LED	
Control		
Control terminals:	A1 - T	x
Control wire:	x	L - S
Control voltage:	AC 230 V	
Control input power:	AC 0.3 - 0.6 VA	
Control impulse lenght:	min. 80 ms / unlimited	
Glow tubes connection:	Yes	
Max. amount of glow lamps connected to controlling input:	max. 15 pcs (measured with glow lamp 0.68 mA / 230 V AC)	max. 10 pcs (measured with glow lamp 0.68 mA / 230 V AC)
Output		
Contactless:	2 x MOSFET	
Load:	300 W (at cos φ = 1)*	160 W (at cos φ = 1)*
Output status indication:	red LED	x
Other information		
Operating temperature:	-20 °C to +35 °C (-4 °F to 95 °F)	
Storing temperature:	-20 °C to +60 °C (-4 °F to 140 °F)	
Operating position:	any	
Mounting:	DIN rail EN 60715	free at connecting wires
Protection degree:	IP 40 from front panel / IP 10 clips	IP 30 in standard conditions**
Overvoltage category:	III.	
Pollution level:	2	
Terminal wire capacity (mm ²):	max. 2x2.5, with sleeve max. 1x2.5, max. 2x1.5 (AWG 12)	x
Connection wires (cross-section / lenght):	x	CY, 0.75 mm ² (AWG 18) / 90 mm (3.5")
Dimensions:	90 x 17.6 x 64 mm	49 x 49 x 21 mm
Weight:	57 g	38 g
Standards:	EN 60669-2-1, EN 61010-1	

* Due to a large number of light source types, the maximum load depends on the internal construction of dimmable light sources and their power factor cos φ. The power factor of dimmable LEDs and ESL bulbs ranges from cos φ = 0.95 to 0.4. An approximate value of maximum load may be obtained by multiplying the load capacity of the dimmer by the power factor of the connected light source.
** for more information see page 38.

- Designed for dimming of:
 - R - bulbs, halogen lamps.
 - L - low-voltage el.bulbs 12/24V wound transformers.
 - C - low-voltage el.bulbs 12/24V electronic transformers.
 - ESL - dimmable compact fluorescent lamps.
 - LED - LED lamps.
 - Enables gradual setting of luminance by push-button (non-detent) or parallel buttons.
 - Returns to last state upon re-energization.
 - Type of light source is set by switch-over on the front panel of device.
 - Min. luminance, set by potentiometer on the front panel, eliminates flashing of light sources.
 - Supply voltage 230 V AC.
- DIM-15**
- Output status is indicated by red LED:
 - shines when output is active.
 - flashes while heating overload, at the same time output is disconnected.
 - 1-MODULE version, DIN rail mounting, saddle terminals.

- SMR-M**
- Button-controlled dimmer intended to be installed in an installation box into the existing electrical wiring.
 - Protection against excessive temperature inside the device - switches off the output.

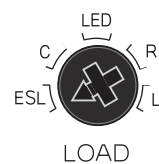
Connection



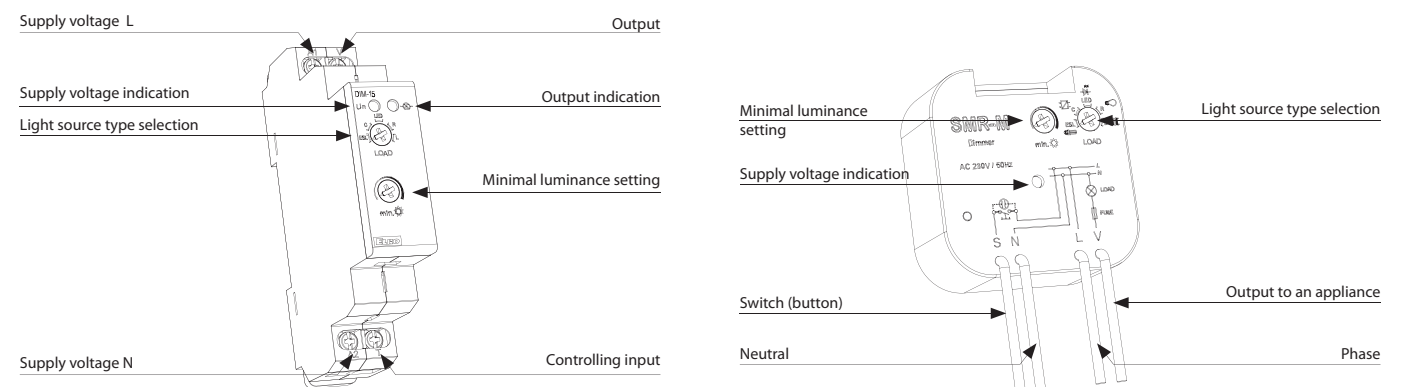
Symbol



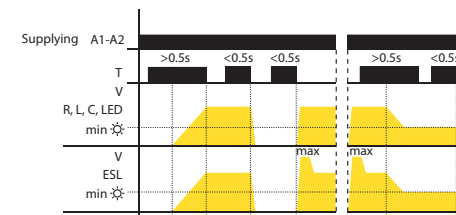
Light source type setting



Device description

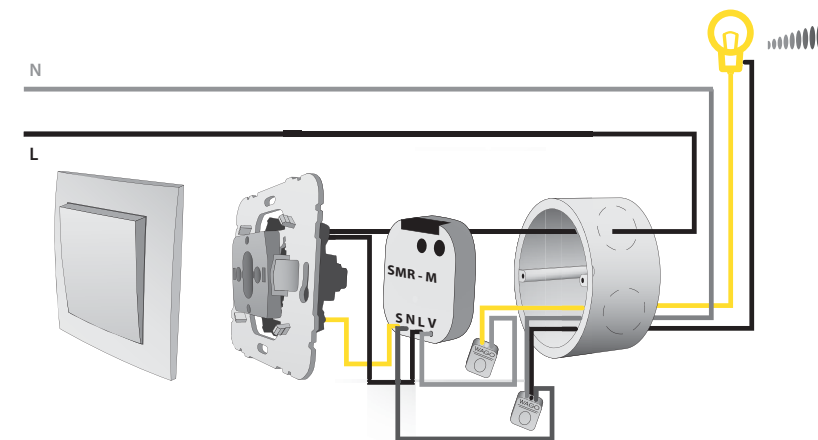


Functions and controlling



- short button press (<0.5s) turns the light off or on
 - long press (>0.5s) enables slight regulation of light intensity
 - setting of minimal luminance is possible only during decreasing of luminance by long button press
 - setting of minimal luminance by saving fluorescent lamps serves for harmonizing of lowest light intensity prior its unprompted switching off
- Luminance setting:**
LED, R, L, C:
- if the light is turned off, short press (<0.5s) switches the light onto last set luminance level
- ESL:**
- when light is off, short impulse turns lamp on and then luminance is decreased to set level

Connection example



Additional information

- it is not possible to dim energy-saving lamps without marking: dimmable
 - an incorrect setting of light source has effect only on dimming range, it means neither dimmer or load get damaged
 - max. number of dimmable light sources depends on their internal structure
 - it is not recommended to connect light sources with different types and brands, to one dimmer
- list of dimmable sources on page 127