



EAN code
TEV-4: 8595188140577

Technical parameters **TEV-4**

Supply

Supply terminals:	L - N
Voltage range:	AC 230V / 50 - 60Hz
Tolerance of voltage range:	- 15% .. +10%
Input (apparent / loss):	max. 6VA / 0.7W

Function setting by jumper J3

Function - ❄️:	cooling
Function - 🔥:	heating

Temperature setting by jumper J2

- range 1:	-30 °C to 0 °C (-22 °F to 32 °F)
- range 2:	0 °C to 30 °C (32 °F to 86 °F)
- range 3:	30 °C to 60 °C (86 °F to 140 °F)

Slight temperature setting: potentiometer

Hysteresis 0.5 / 1.5 / 4 °C (32.9 / 34.7 / 39.2 °F)

Hysteresis setting: by jumper J1

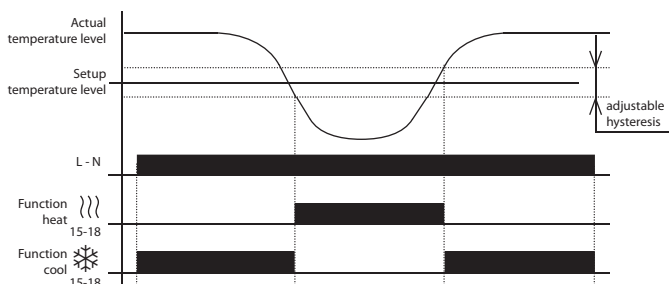
Output

Output contact:	1 x NO-SPST (AgSnO ₂)
Current rating:	12 A / AC1
Max. breaking capacity:	3000 VA / AC1, 384 W / DC
Peak current:	30 A / < 3 s
Switched voltage:	250 V AC / 24 V DC
Mechanical life:	3 x 10 ⁷
Electrical life:	0.7 x 10 ⁵

Other information

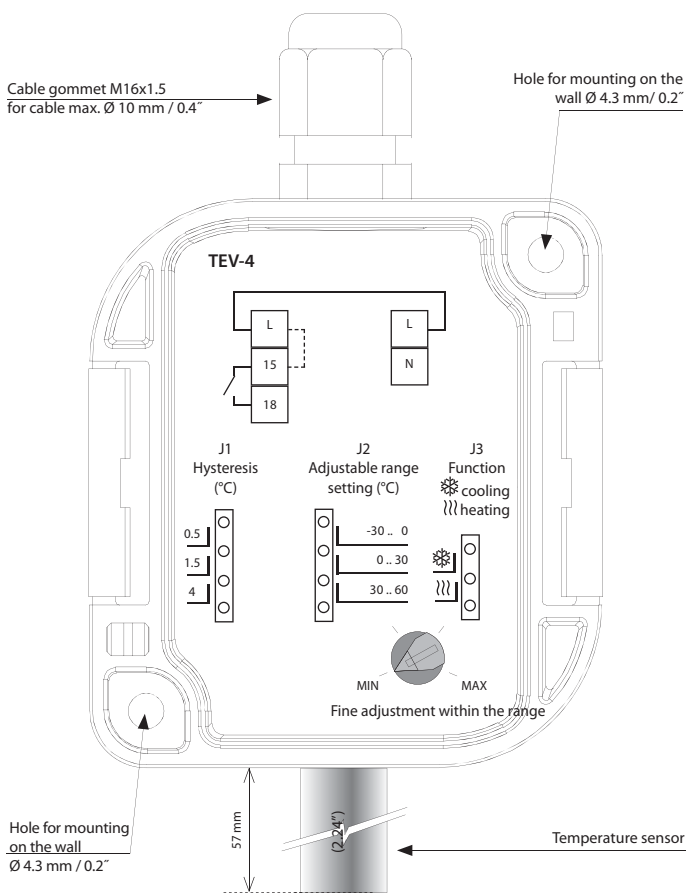
Operation temperature:	-30 °C to 65 °C (-22 °F to 149 °F)
Storing temperature:	-30 °C to 70 °C (-22 °F to 158 °F)
Electrical strength:	4kV (supply-output)
Operation position:	sensor-side down
Protection degree:	IP65
Overvoltage category:	III.
Pollution degree:	2
Max. cable size (mm ²):	max.1x 2.5, max. 2x 1.5/ with sleeve max.1x 2.5 (AWG 12)
Suggested power-supply cable:	CYKY 3x2.5 (CYKY 4x1.5)
Dimensions:	153 x 62 x 34 mm (6" x 2.4" x 1")
Weight:	148 g (5.2 oz.)
Standards:	EN 60730-2-9, EN 61010-1

Function

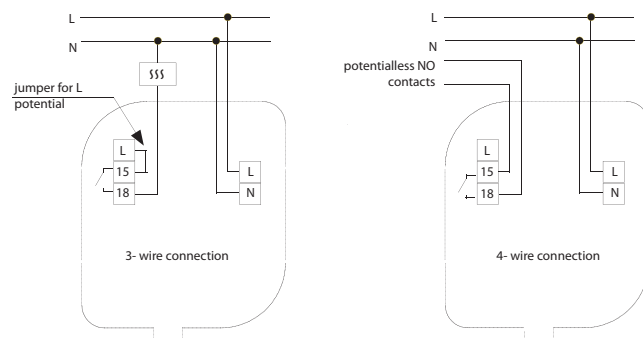


- Single point thermostat for monitoring and regulation of temperature in demanding environments (humid and contaminated, aggressive and defective, industrial workshops, washing rooms, green-houses, cellars and cooling boxes...).
- External version in IP65, box for mounting on the wall.
- Built-in thermo-sensor is integrated in the device.
- Two functions adjustable by jumper: heating and cooling.
- 3 adjustable (by jumper) ranges of temperature, and fine adjustment through potentiometer.
- 3 adjustable (by jumper) levels of hysteresis.
- Supply voltage 230 V AC.
- Potentialless NO-SPST contact 12 A AC1 switching.

Description



Connection



Description of function

Device is standardly supplied with jumper L-15 (3-wire connection). For the correct function of device is necessary sensor-side down device mounting.